

VPM-430

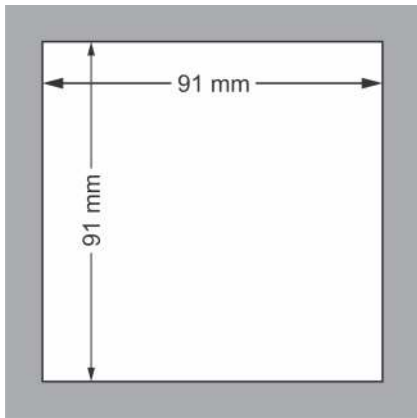
Operating Manual



Introduction

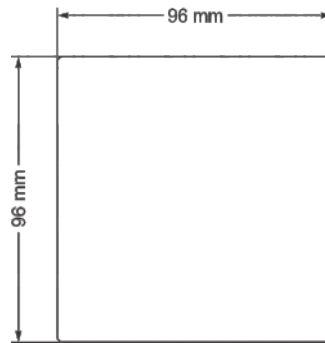
VPM-430 is a Digital voltmeter which measure true rms voltage of an AC signal.

Panel Cutout

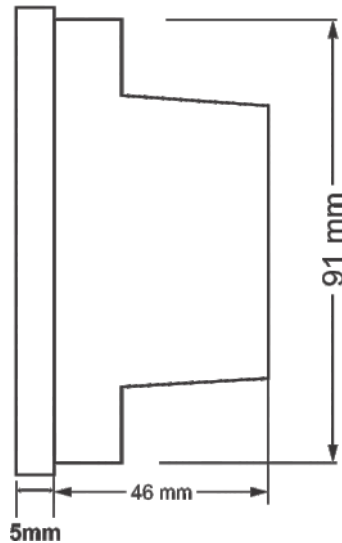


Dimension & Mounting

Front View



Side View



Technical Specification

Housing	: Back Cover	: ABS Plastic
	: Front Cover	: Polycarbonate
Colour	: Back Cover	: Black
	: Front Cover	: Smoke Grey
Dimension	: Frontal	: 96 X 96 mm
	: Depth	: 46 mm
Panel Cutout	: 91 mm X 91 mm	
Mounting	: Panel	
Connections	: Terminal Connectors	
Display	: 3 X 0.56" 7 Segment White	
	: Display	
Range	: 12 VAC to 500 VAC	
Operating Temp.	: 0°C to 60°C (non-condensing)	
Operating Humidity	: 20% to 85% (non-condensing)	
Storage Temp.	: -25°C to 60°C (non-condensing)	
Power Input	: 240 VAC, $\pm 20\%$, 50/60 Hz	
Input Type	: AC Voltage Input	
Resolution	: 1 V	
Accuracy	: $\pm 0.4\%$ of full scale overrated range	
Indication	: Below 12 VAC shows "U _r ".	
	: Above 500 VAC shows "O _r ".	
	: Open Condition shows "0".	

Connection Diagram

Supply: 240 VAC, $\pm 20\%$, 50/60 Hz

